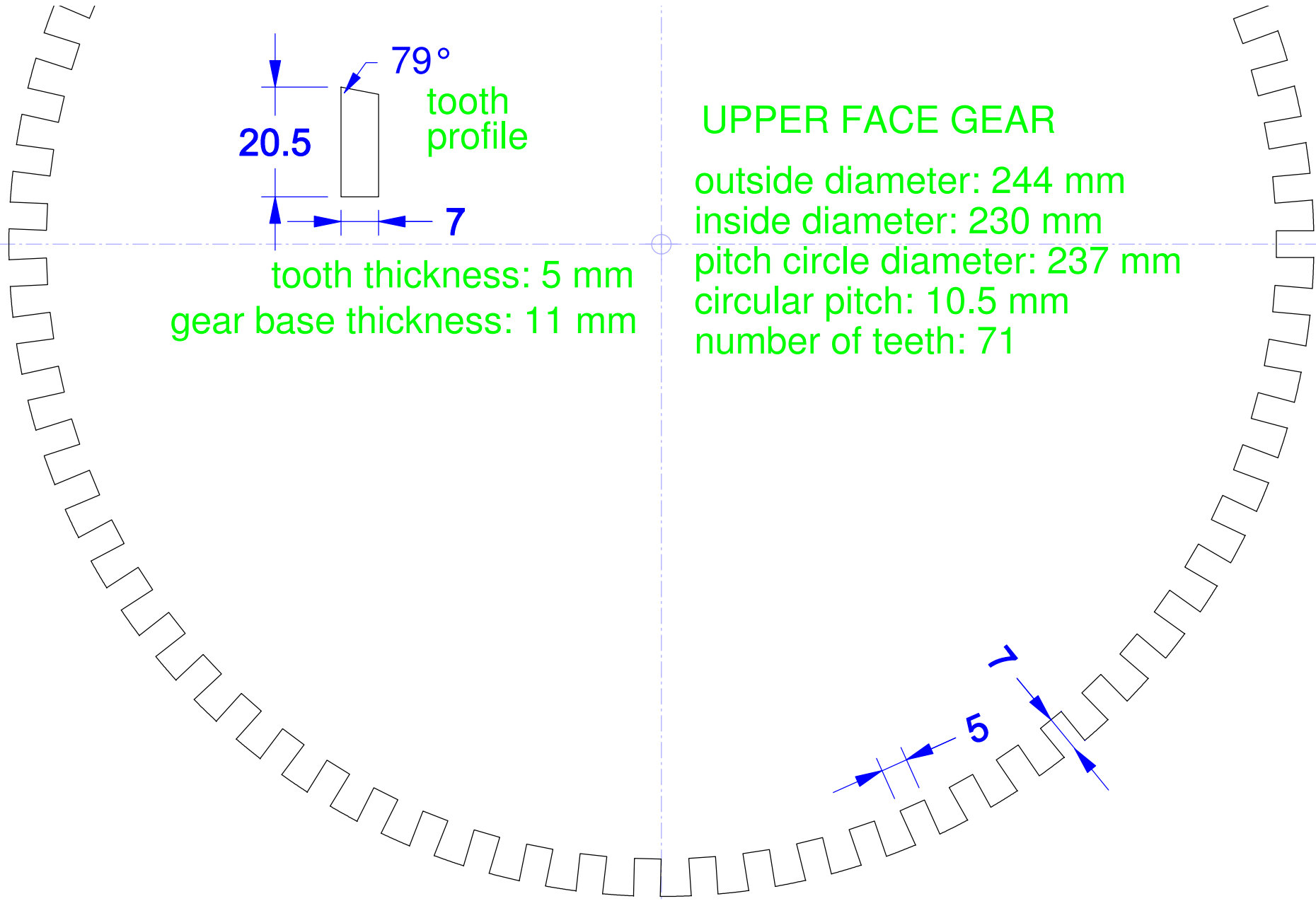


tooth thickness: 5 mm
 gear base thickness: 11 mm

UPPER FACE GEAR

outside diameter: 244 mm
 inside diameter: 230 mm
 pitch circle diameter: 237 mm
 circular pitch: 10.5 mm
 number of teeth: 71



Dutch Windmill (scale 1:16.67)	ref. : DW-TP-05b
Upper face gear template (bottom)	rev. : 12-Feb-2015
	scale: 1:1
Dempsey Woodworking	unit : mm
-- just a hobby --	view : face view
DesignCAD 3D MAX v24.1	size : letter
Copyright (c) 2015 Pieter A.C.A. van Vliet	