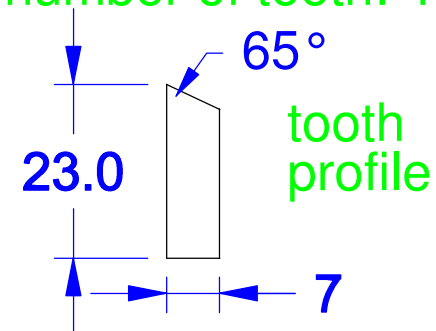


SPURWHEEL GEAR

outside diameter: 144 mm
 inside diameter: 130 mm
 pitch circle diameter: 137 mm
 circular pitch: 10.5 mm
 number of teeth: 41



tooth thickness: 5 mm
 gear base thickness: 11 mm

Dutch Windmill (scale 1:16.67)	ref. : DW-TP-05d
Spurwheel gear template	rev. : 12-Feb-2015
Dempsey Woodworking	scale: 1:1
-- just a hobby --	unit : mm
DesignCAD 3D MAX v24.1	view : face view
Copyright (c) 2015 Pieter A.C.A. van Vliet	size : letter