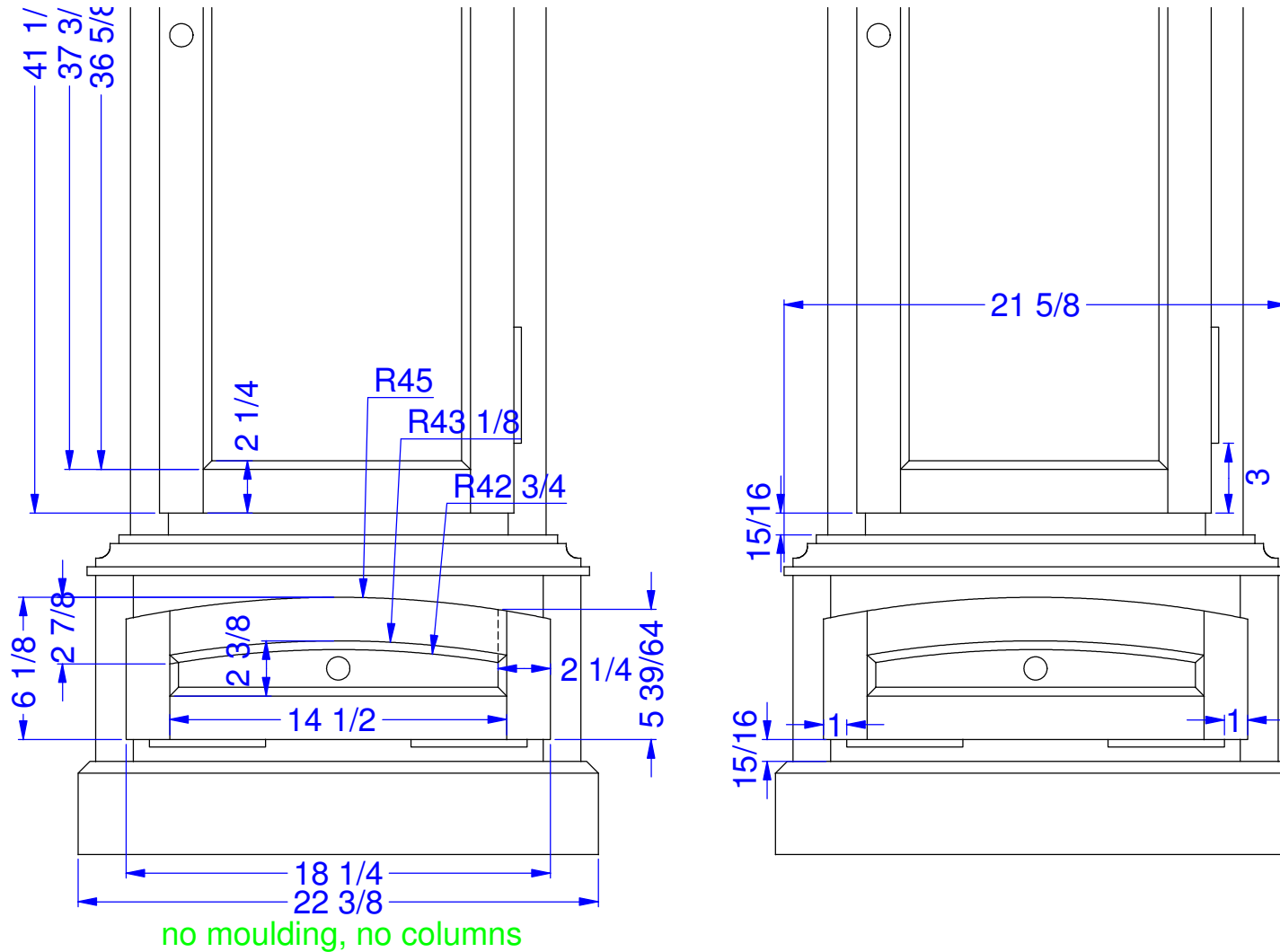


no moulding, no frieze, no trim
 no columns, no doors, no base hatch



Grandfather Clock case front view	ref. : GC-FV-04
	rev. : 2-Mar-2010
Dempsey Woodworking -- just a hobby --	scale: varies
	unit : inch
	view : front
DesignCAD 3D MAX v20.0	Copyright © 2010 Pieter A.C.A. van Vliet
	size : letter