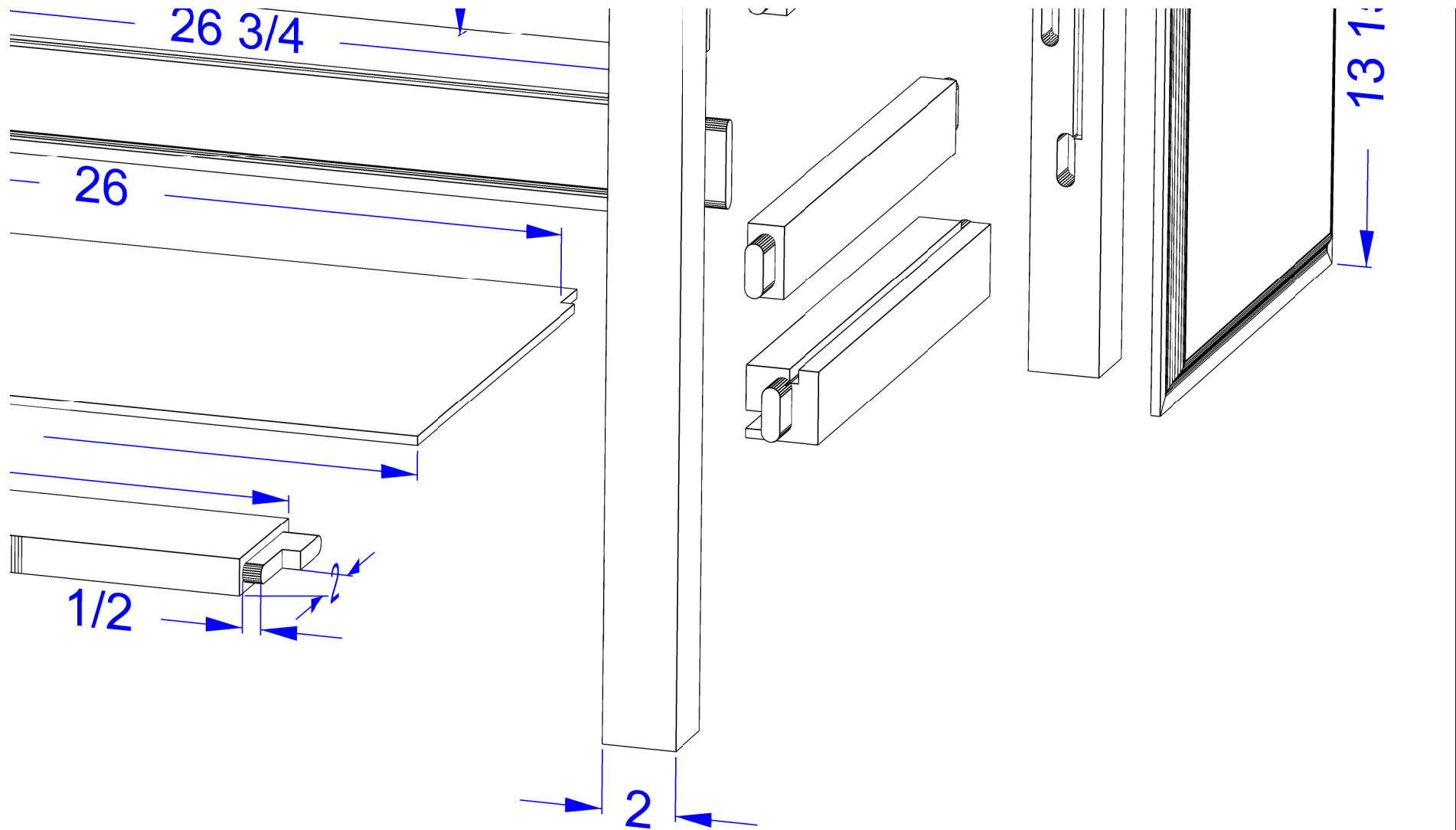


NOTE: all tenons are on centre, $\frac{1}{2}$ " thick, 1" long, and $\frac{1}{2}$ " less wide than the material



Nightstands & Dresser Project
 perspective view -- left nightstand

Dempsey Woodworking
 -- just a hobby --

Copyright (c) 2007 Pieter A.C.A. van Vliet

ref. : ND-PV-03

rev. : 8-Nov-2007

scale: varies

unit : inch

size : letter

construction detail