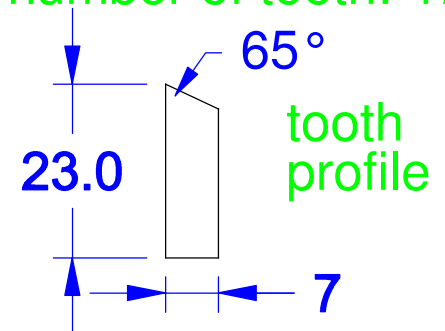


AUGER FACE GEAR

outside diameter: 164 mm
 inside diameter: 150 mm
 pitch circle diameter: 157 mm

circular pitch: 10.5 mm
 number of teeth: 47



tooth thickness: 5 mm
 gear base thickness: 11 mm

Dutch Windmill (scale 1:16.67)	ref. : DW-TP-05e
Auger face gear template	rev. : 12-Feb-2015
	scale: 1:1
Dempsey Woodworking	unit : mm
-- just a hobby --	view : face view
DesignCAD 3D MAX v24.1 Copyright (c) 2015 Pieter A.C.A. van Vliet	size : letter