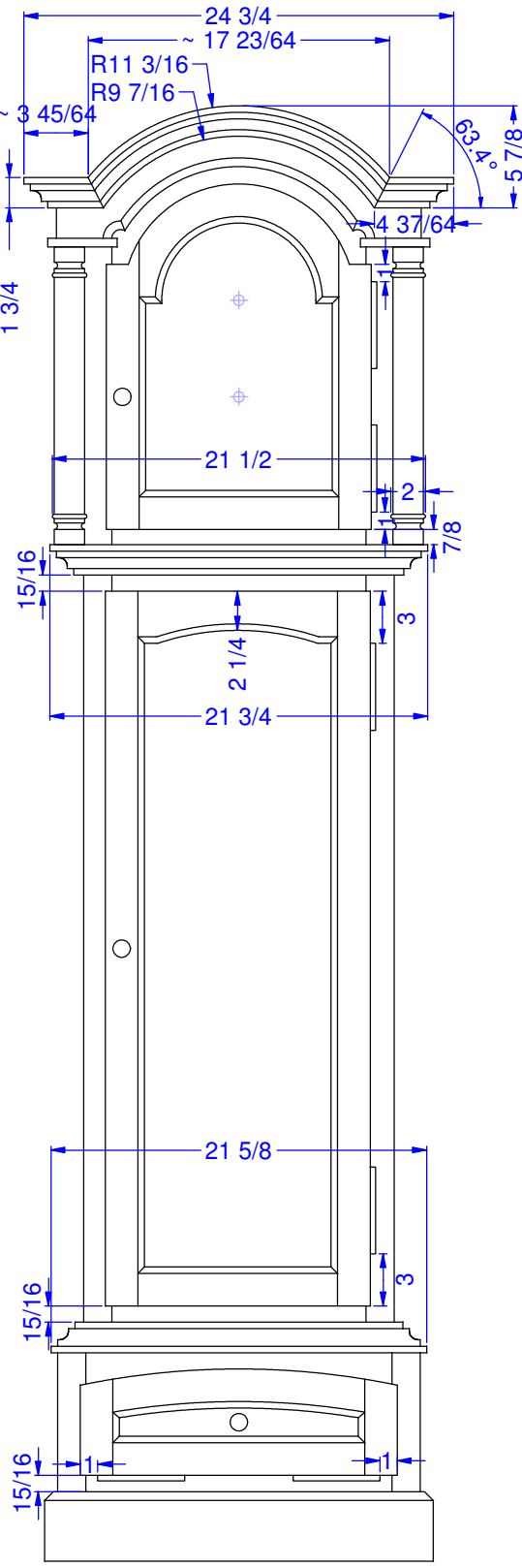


no moulding, no columns



Grandfather Clock	ref. : GC-FV-04b
case front view	rev. : 2-Mar-2010
	scale: varies
Dempsey Woodworking	unit : inch
-- just a hobby --	view : front
DesignCAD 3D MAX v20.0	size : letter
Copyright (c) 2010 Pieter A.C.A. van Vliet	