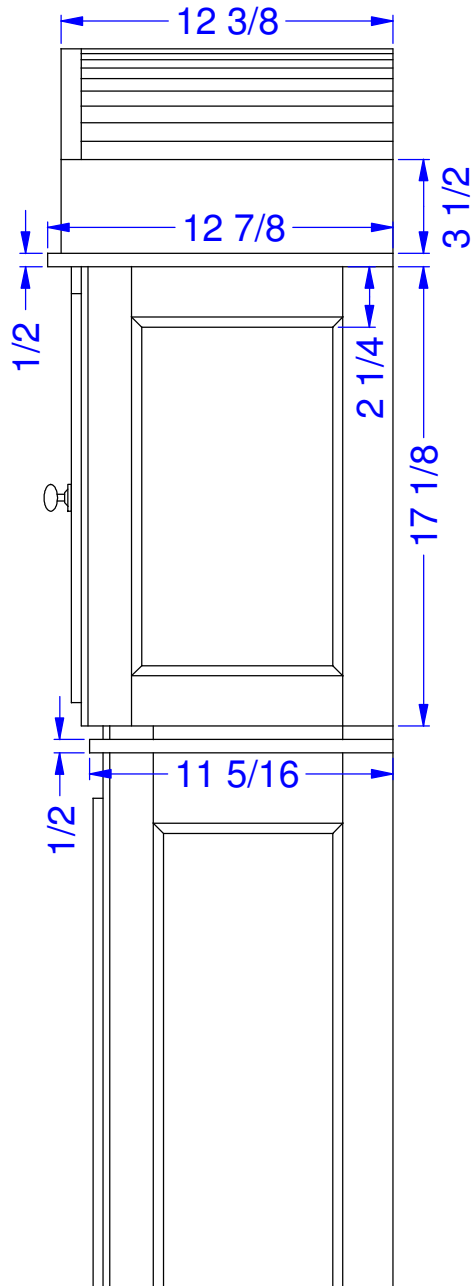
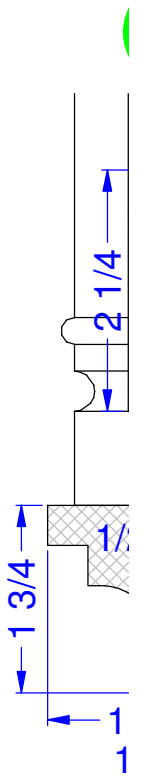
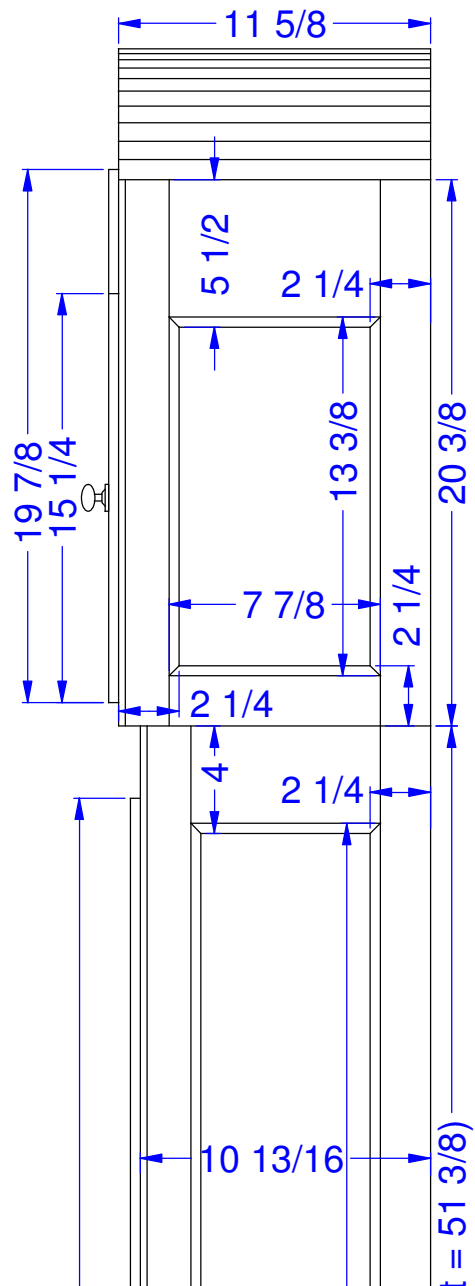
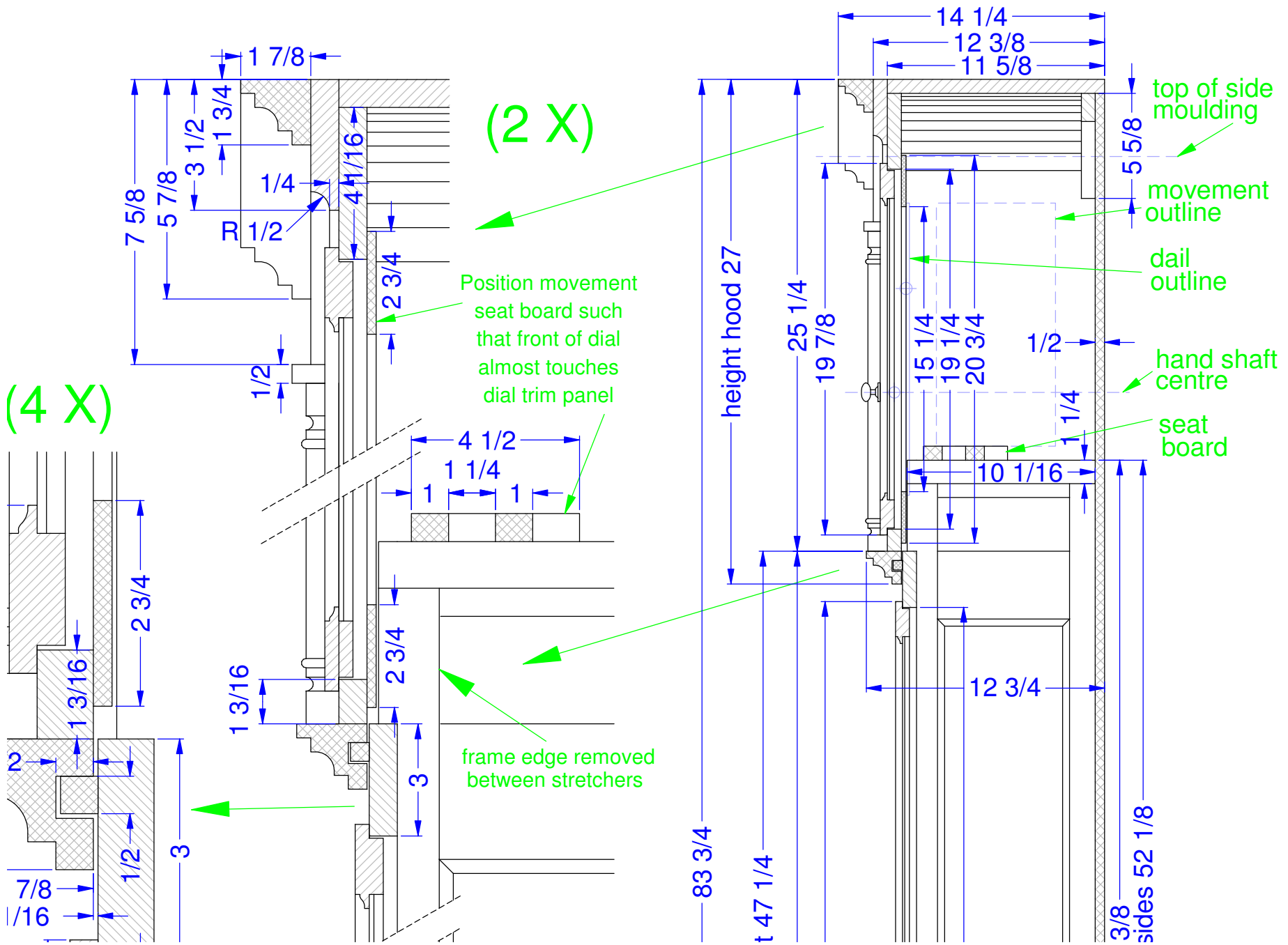


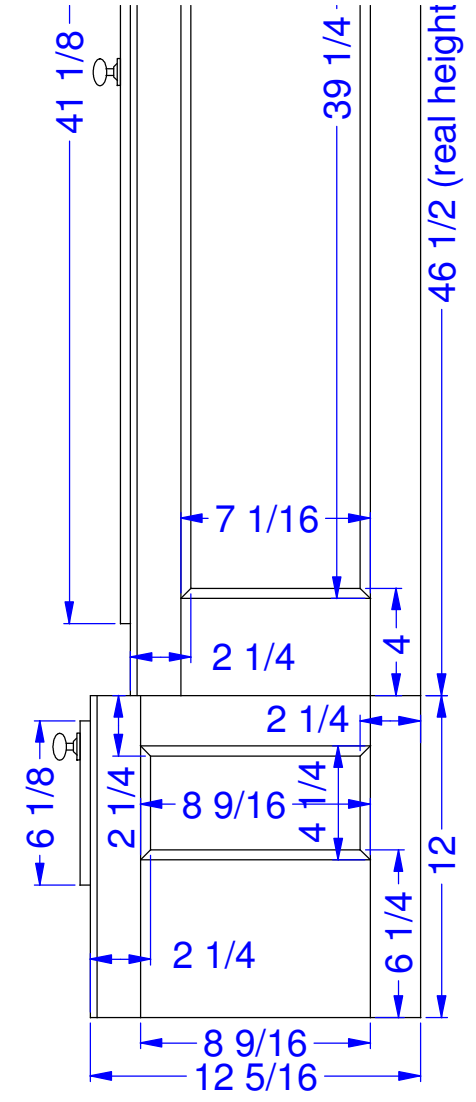
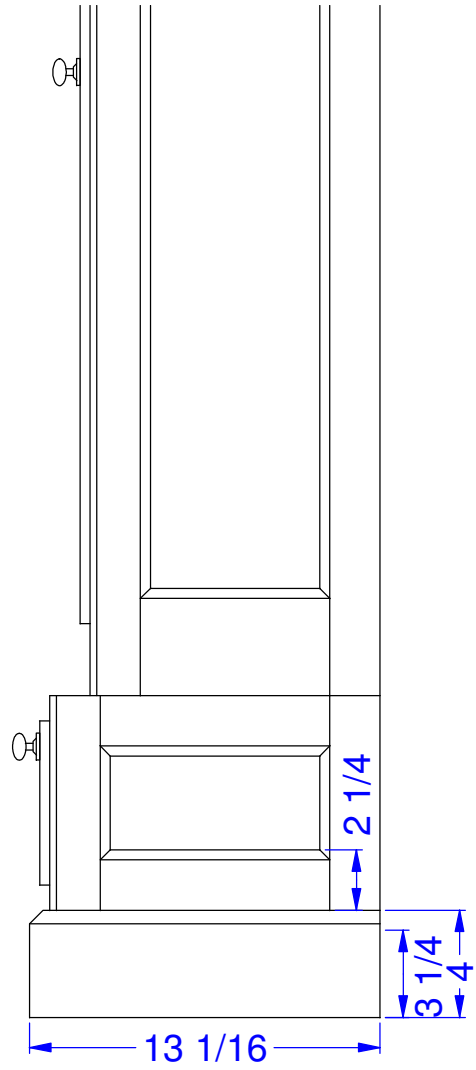
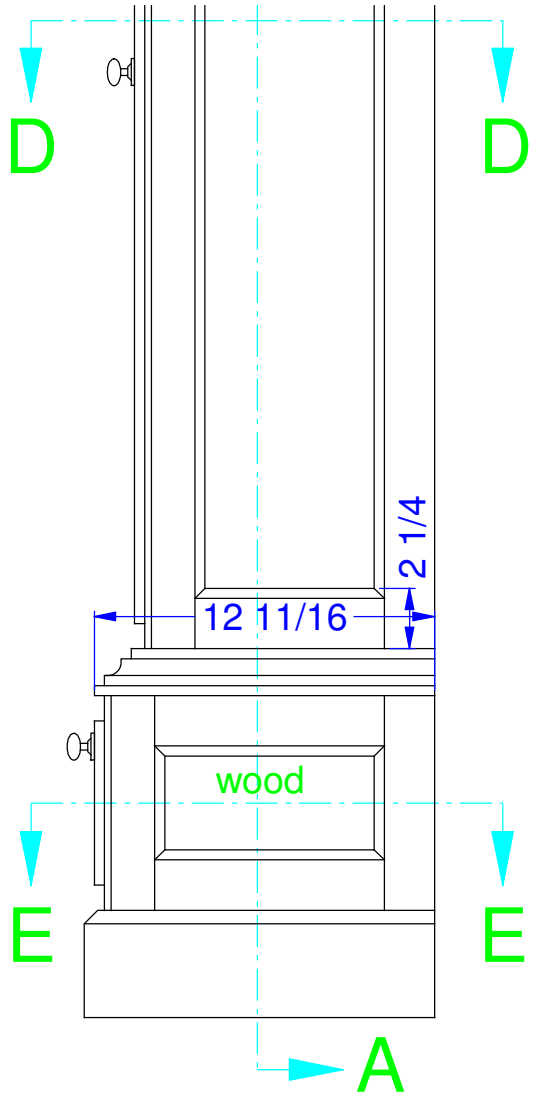
no moulding, no columns

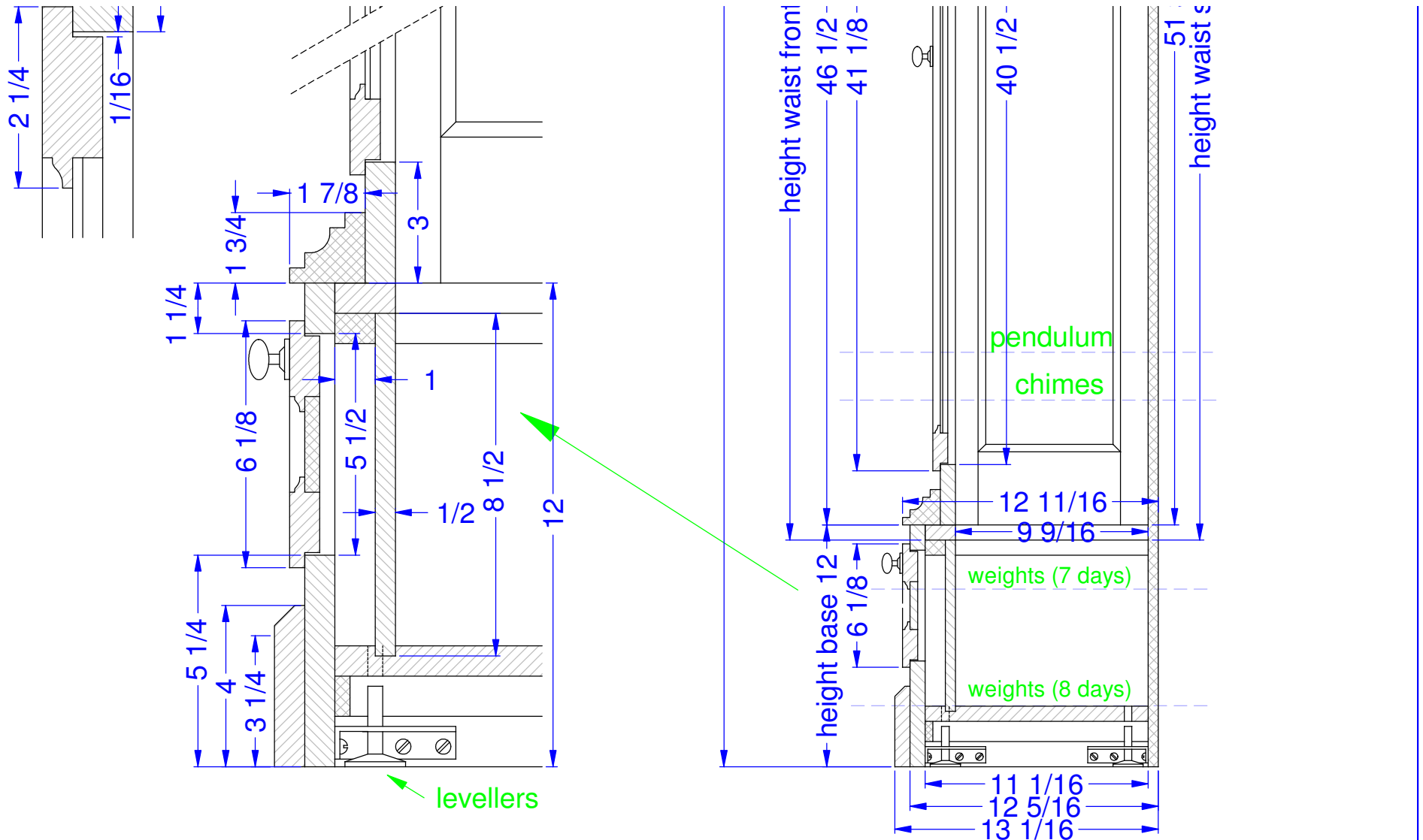


no frieze, no baseboard









<h2>Grandfather Clock</h2> <p>case side view & side section B-B</p>		ref. : GC-FV-06
		rev. : 4-Mar-2010
<p>Dempsey Woodworking</p> <p>-- just a hobby --</p>		scale: varies
		unit : inch
		view : side
		size : letter
DesignCAD 3D MAX v20.0	Copyright © 2010 Pieter A.C.A. van Vliet	